

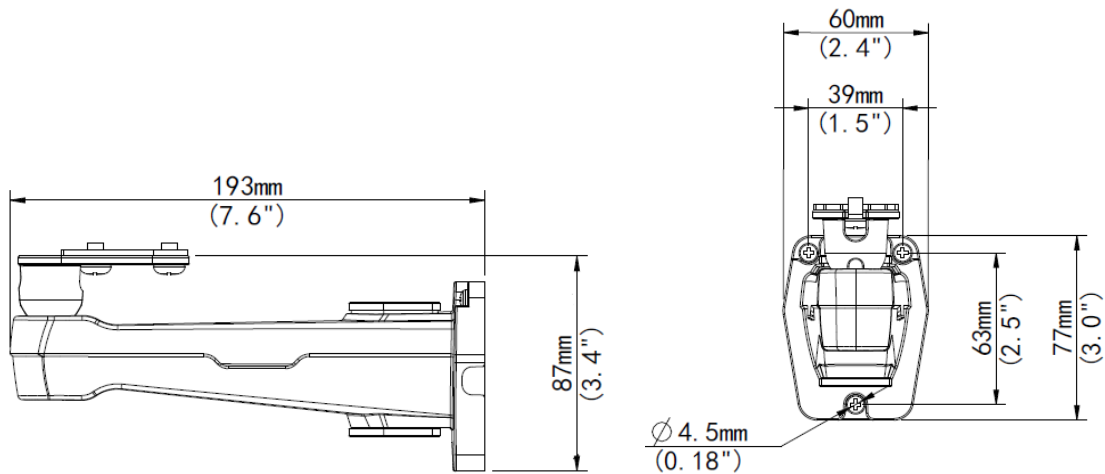
# TR-WM06-C-IN Bullet Wall Mount



## Specifications

Bracket	TR-WM06-C-IN
Application	wall installation for Bullet
Dimensions	193mmx60mmx77mm(7.6" x 2.4"x 3.0")
Weight	0.2kg(0.44lb)
Material	Aluminum alloy

## Dimensions



### Zhejiang Uniview Technologies Co.,Ltd.

South Tower, Building 10, Wanlun Science Park, 88 Jiangling Road, Hangzhou, P.R.China 310051

Email: [overseasbusiness@uniview.com](mailto:overseasbusiness@uniview.com); [globalsupport@uniview.com](mailto:globalsupport@uniview.com)

<http://www.uniview.com>

©2015 Zhejiang Uniview Technologies Co.,Ltd. All rights reserved.

\*Product specifications and availability are subject to change without notice.